

## P600 Pump Series

Capacities to 2634.0 LPH - Rated to 70 Bar

### Electronic Precision Metering

- Designed to handle a wide range of fluids from clear water to thick slurries
- Electronic flow control increases accuracy and reliability
- Multiple diaphragm design provides linear, virtually pulse-less flow
- Smaller footprint saves valuable space
- One pump covers a wide range of flows and pressures - reducing inventory requirements with fast, simple field conversion
- Duplexing option doubles capacity and equipment savings
- Hydraulically-actuated, balanced diaphragms provide superior performance across entire pressure range
- Rugged construction with a variety of affordable choices for liquid end, diaphragm and check valve materials



Hydra-Cell Metering Solutions meet or exceed API 675 performance standards for Steady-State Accuracy ( $\pm 1\%$ ), Linearity ( $\pm 3\%$ ), and Repeatability ( $\pm 3\%$ ).

### Performance\*

#### LPH Maximum Flow at Designated Pressure

LPH All Pumps		LPH Metallic Pump Heads Only		Pump RPM	Gear Ratio	Motor RPM
7 Bar	17 Bar	35 Bar	70 Bar			
68.14	68.04	66.92	63.09	14.5	100:1	1450
85.53	84.90	83.47	79.20	18.13	80:1	
113.9	113.0	111.0	106.0	24.17	60:1	
136.7	135.4	133.0	127.4	29	50:1	
170.8	169.0	166.1	159.6	36.25	40:1	
227.6	225.1	221.1	213.2	48.33	30:1	
273.0	270.0	265.2	256.1	58	25:1	
341.2	337.4	331.3	320.5	72.5	20:1	
454.9	449.6	441.4	427.7	96.67	15:1	
682.2	674.0	661.7	642.2	145	10:1	
909.5	898.4	882.0	856.7	193.33	7.5:1	
1364.1	1347.3	1322.6	1285.7	290	5:1	

\* Capacity data is shown for pumps with elastomeric diaphragms. Consult factory for performance characteristics of pumps with PTFE diaphragms.

#### Required Motor kW

0.37	0.55	0.75	1.1
1.5	2.2	3.7	

# P600 Pump Series

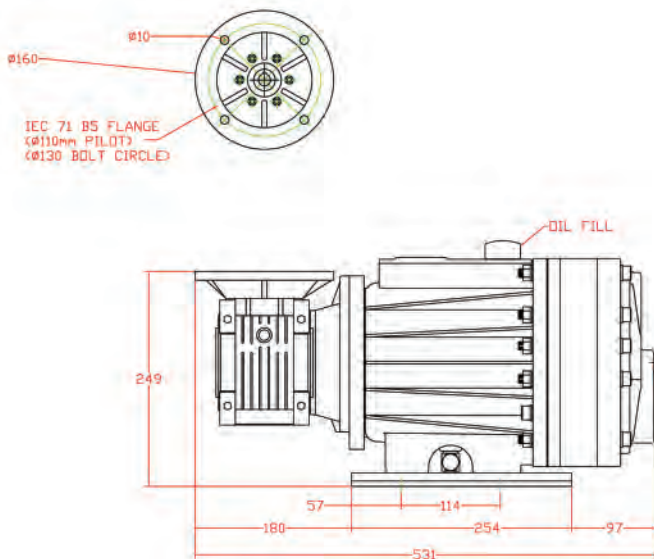
## Pump Data

Diaphragms per Liquid End	3
Flow Control	Electronic variable speed drive
Maximum Discharge Pressure	
Metallic Head:	70 bar (1000 PSI)
Non-Metallic Head:	Polypropylene- 17 bar (250 PSI) Kynar- 24 bar (350 PSI)
Maximum Suction Pressure	17 bar (250 PSI)
Maximum Temperature	
Metallic Head:	121 °C (250 °F)*
Non-Metallic Head:	60 °C (140 °F)
Suction Port	1-1/2 inch BSPT
Discharge Port	1 inch BSPT
Weight (less motor)	
Metallic Head:	64 kg (141 lbs)
Non-Metallic Head:	48 kg (106 lbs)
Dimensions (less motor)**	
Metallic Head:	533 mm W x 272 mm D x 285 mm H (21.0" W x 10.7" D x 11.2" H)
Non-Metallic Head:	554 mm W x 272 mm D x 285 mm H (21.8" W x 10.7" D x 11.2" H)

\*Consult factory for correct component selection for fluid temperatures above 71 °C (160 °F).

\*\* For 71 B5 motor frame only. Consult factory for other motor frame sizes.

## Representative Dimensional Drawings (in mm)



Hydra-Cell Metering Solutions pump systems are available with back pressure and relief valves, calibration cylinders, pulsation dampeners, manifolds and flanges, suction accumulators, custom controllers, strainers, a variety of actuating oils, witnessed and non-witnessed testing, drawing packages, and OEM paint and nameplate customization.

**For information on the complete line of Hydra-Cell Metering Solutions pumps, contact us today.**

### **Wanner International Ltd.**

Units 8 & 9, Fleet Business Park  
Sandy Lane  
Church Crookham, Hampshire GU52 8BF, England  
Tel: +(44) 01252 816847  
FAX Tel: +(44) 01252 629242  
Email: sales@wannerint.com  
www.WannerInt.com

Printed in USA P600-DS-I-06.11

### **Wanner Pumps Ltd.**

Flat A, 21/F, Chatham Commercial Building  
399 Chatham Road North  
Hungghom, Kowloon, Hong Kong  
Phone: (852) 3428-6534  
Fax: (852) 3188-9145  
Email: sales@wannerpumps.com  
www.WannerPumps.com

### **Wanner Engineering, Inc.**

1204 Chestnut Avenue  
Minneapolis, MN 55403 USA  
Tel: 612-332-5681  
FAX Tel: 612-332-6937  
Toll-Free Fax (USA): 800-332-6812  
Email: sales@wannereng.com  
www.Hydra-Cell.com/metering

## Pump Ordering Information

A complete pump order number contains 13 digits based on the specified pump materials listed below. Contact your Hydra-Cell sales representative for accompanying motor drive options.

1	2	3	4	5	6	7	8	9	10	11	12	13
P	6	0	0									

### Pump Model Size (Digits 1-4)

**P600** For all P600 Pumps

### Pump Version (Digit 5)

**M** BSPT Ports  
**A** ATEX Zone I (BSPT Ports)

### Pump Head Material (Digit 6)

**C** Cast Iron  
**M** Kynar®  
**P** Polypropylene  
**S** 316 Stainless Steel  
**T** Hastelloy®C

### Diaphragm & O-ring Material (Digit 7)

**E** EPDM  
**G** Viton®-XT  
**J** PTFE  
**P** Neoprene  
**T** Buna-N-XS

### Check Valve Material (Digits 8-9)

#### (Valve Spring / Valve & Seat)

**SS** 316 SST / 316 SST  
**TT** Hastelloy®C / Hastelloy®C  
**SC** 316 SST / Ceramic  
**TC** Hastelloy®C / Ceramic

### Gearbox Ratio (Digits 10-12)

<b>A00</b>	100:l	(71 B5 Motor Frame)
<b>A80</b>	80:l	(71 B5 Motor Frame)
<b>B80</b>	80:l	(80 B5 Motor Frame)
<b>A60</b>	60:l	(71 B5 Motor Frame)
<b>B60</b>	60:l	(80 B5 Motor Frame)
<b>A50</b>	50:l	(71 B5 Motor Frame)
<b>B50</b>	50:l	(80 B5 Motor Frame)
<b>A40</b>	40:l	(71 B5 Motor Frame)
<b>B40</b>	40:l	(80 B5 Motor Frame)
<b>A30</b>	30:l	(71 B5 Motor Frame)
<b>B30</b>	30:l	(80 B5 Motor Frame)
<b>B25</b>	25:l	(80 B5 Motor Frame)
<b>C25</b>	25:l	(90 B5 Motor Frame)
<b>B20</b>	20:l	(80 B5 Motor Frame)
<b>C20</b>	20:l	(90 B5 Motor Frame)
<b>B15</b>	15:l	(80 B5 Motor Frame)
<b>C15</b>	15:l	(90 B5 Motor Frame)
<b>B10</b>	10:l	(80 B5 Motor Frame)
<b>C10</b>	10:l	(90 B5 Motor Frame)
<b>D10</b>	10:l	(100/112 B14 Motor Frame)
<b>B07</b>	7.5:l	(80 B5 Motor Frame)
<b>C07</b>	7.5:l	(90 B5 Motor Frame)
<b>D07</b>	7.5:l	(100/112 B14 Motor Frame)
<b>B05</b>	5:l	(80 B5 Motor Frame)
<b>C05</b>	5:l	(90 B5 Motor Frame)
<b>D05</b>	5:l	(100 B5 Motor Frame)

### Base Plate (Digit 13)

**H** Carbon Steel (Epoxy painted)