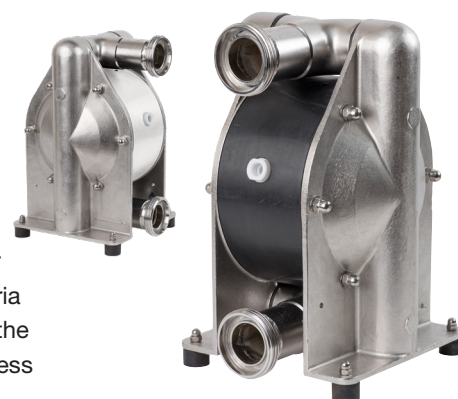


VERDERAIR HC-PURE FD SERIES

VA-HCP40



The Verderair HC-PURE series of hygienic double diaphragm pumps is designed for various hygienic applications. The electropolished surfaces reduce the risk of bacteria traps and contamination. The pumps are manufactured from SS 316L according to the highest hygienic design standards. Easy maintenance and a long lifetime results in less downtime for your production process.

Your benefits

- Electropolished
- Easy maintenance
- Solid machined centre block made from PE/Polyamide
- PTFE/EPDM overmolded diaphragms
- Maintenance free air valve

Technical data		Measurements
Max. flow rate (l/min)		305
Nominal port size	DIN 11851 Tri-clamp	DN50 2" (ASME BPE)
Air inlet	BSPT	R 1/2"
Weight (kg)	PA6 PE-Cond.	33 32
Suctionlift dry (mwc)	EPDM valves PTFE valves	3 2
Suction lift wet (mwc)		9
Max. operating pressure (bar)		7
Max. operating temperature (°C)	PA6 PE-Cond.	120 80
Min. operating temperature (°C)		-20
Max. viscosity (mPas)		15000
Theoretical displacement volume (single stroke) (l)		0,98
Max. particle size of solids (mm)		14

Code VA-HCP40 No.1 No.2 No.3 No.4 No.5 No.6		
<p>No. 1 Housing & Center Section SN : SS AISI 316L & Polyamide (PA6) Ex SG : SS AISI 316L & Conductive polyethylene (PE-Cond.)</p> <p>No. 2 Seats & o-rings ST : SS AISI 316L & PTFE SE : SS AISI 316L & EPDM FDA</p> <p>No. 3 Valve ball EP : EPDM TF : PTFE</p>	<p>No. 4 Diaphragm TO : PTFE Overmolded EO : EPDM Overmolded</p> <p>No. 5 Connection D5 : DN50 DIN 11851 T5 : Tri-clamp 2" (ASME BPE)</p>	<p>No. 6 Options FD: Food grade 00: Industrial SS: Stroke sensor RE: Remote DM: Draining manual BS: Barrier system, sensors only LS: Leak detection, sensor only</p>

NOTE not all combinations are available
 Ex II 2G/2GD Ex h IIC/IIIC T70°C Gb/Gb Db

EXAMPLE PUMP TYPE
VA-HCP40 SG ST TF TO D5 FD

VERDERAIR HC-PURE FD SERIES

VA-HCP40

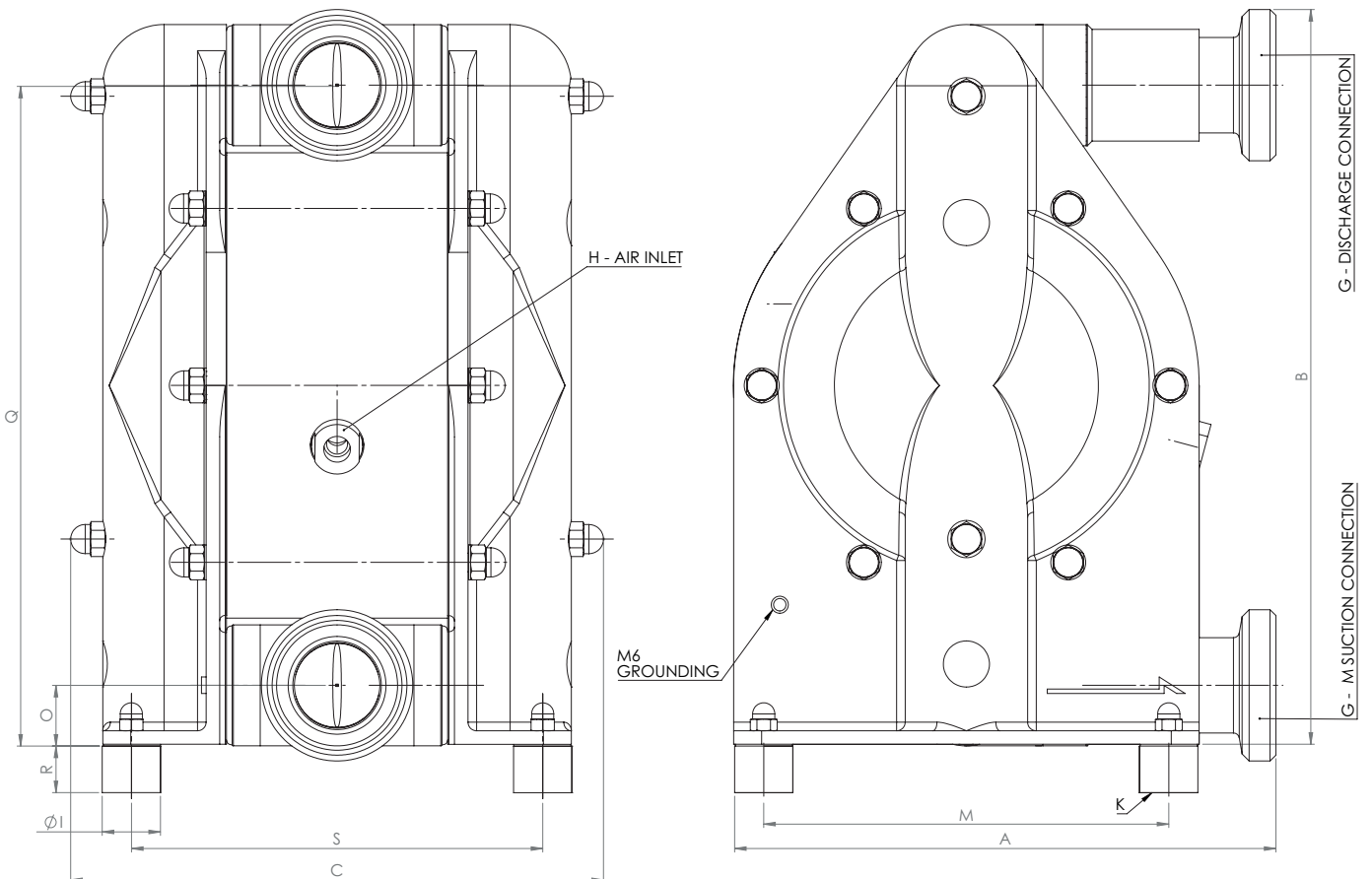


Dimensions

HC-PURE40 FD

TYPE	A	B	C	G	H	I	K	M	O	Q	R	S
HCP40 DIN	305	426	319	DN50	R1/2	40	M8	230	39	387	30	236
HCP40 TC	292	419	319	2"	R1/2	40	M8	230	39	387	30	236

Dimensions in mm



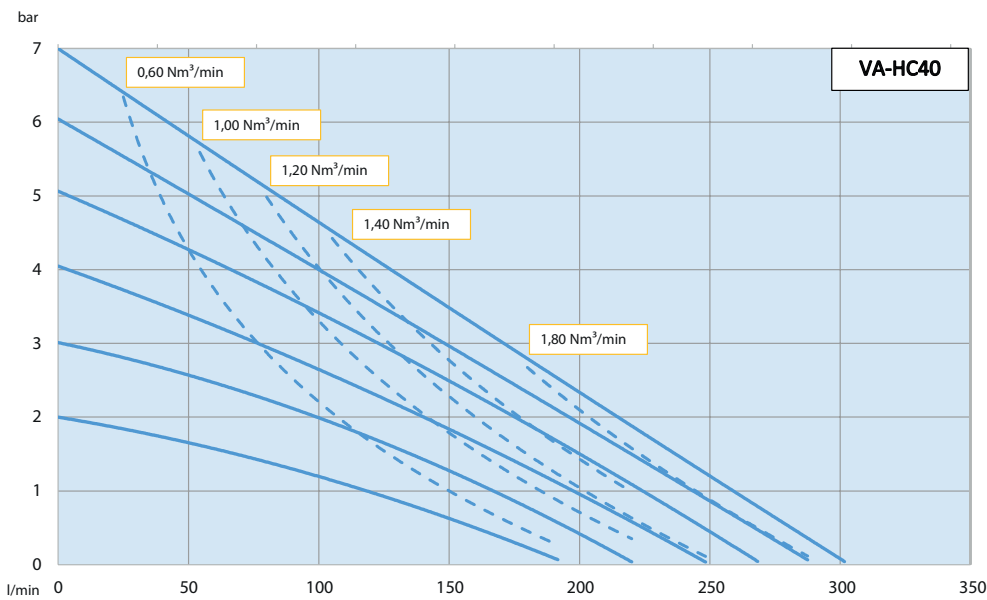
VERDERAIR HC-PURE FD SERIES

VA-HCP40

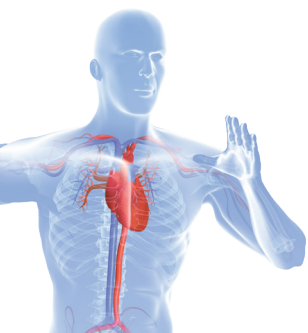


Performance charts

HC-PURE40 FD



Air consumption



Find your local supplier at www.verderliquids.com

For construction, installation and floor mounting drawings
please contact your local authorised Verderair® distributor.