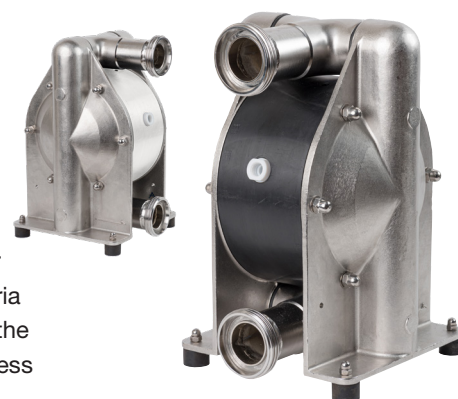


VERDERAIR HC-PURE FD SERIES

VA-HCP25



The Verderair HC-PURE series of hygienic double diaphragm pumps is designed for various hygienic applications. The electropolished surfaces reduce the risk of bacteria traps and contamination. The pumps are manufactured from SS 316L according to the highest hygienic design standards. Easy maintenance and a long lifetime results in less downtime for your production process.

Your benefits

- Electropolished
- Easy maintenance
- Solid machined centre block made from PE/Polyamide
- PTFE/EPDM overmolded diaphragms
- Maintenance free air valve

Technical data		Measurements
Max. flow rate (l/min)		147
Nominal port size	DIN 11851 Tri-clamp	DN40 1,5" (ASME BPE)
Air inlet	BSPT	R 1/4"
Weight (kg)	PA6 PE-Cond.	15 14
Suctionlift dry (mwc)	EPDM valves PTFE valves	2 1,5
Suction lift wet (mwc)		9
Max. operating pressure (bar)		7
Max. operating temperature (°C)	PA6 PE-Cond.	120 80
Min. operating temperature (°C)		-20
Max. viscosity (mPas)		10000
Theoretical displacement volume (single stroke) (l)		0,34
Max. particle size of solids (mm)		12

Code VA-HCP25 No.1 No.2 No.3 No.4 No.5 No.6		
<p>No. 1 Housing & Center Section SN : SS AISI 316L & Polyamide (PA6) Ex SG : SS AISI 316L & Conductive polyethylene (PE-Cond.)</p> <p>No. 2 Seats & o-rings ST : SS AISI 316L & PTFE SE : SS AISI 316L & EPDM FDA</p> <p>No. 3 Valve ball EP : EPDM TF : PTFE</p>	<p>No. 4 Diaphragm TO : PTFE Overmolded EO : EPDM Overmolded</p> <p>No. 5 Connection D4 : DN40 DIN 11851 T4 : Tri-clamp 1,5" (ASME BPE)</p>	<p>No. 6 Options FD: Food grade 00: Industrial SS: Stroke sensor RE: Remote DM: Draining manual BS: Barrier system, sensors only LS: Leak detection, sensor only</p>

NOTE not all combinations are available
 Ex II 2G/2GD Ex h IIC/IIIC T70°C Gb/Gb Db

EXAMPLE PUMP TYPE
VA-HCP25 SG ST TF TO D4 FD

VERDERAIR HC-PURE FD SERIES

VA-HCP25

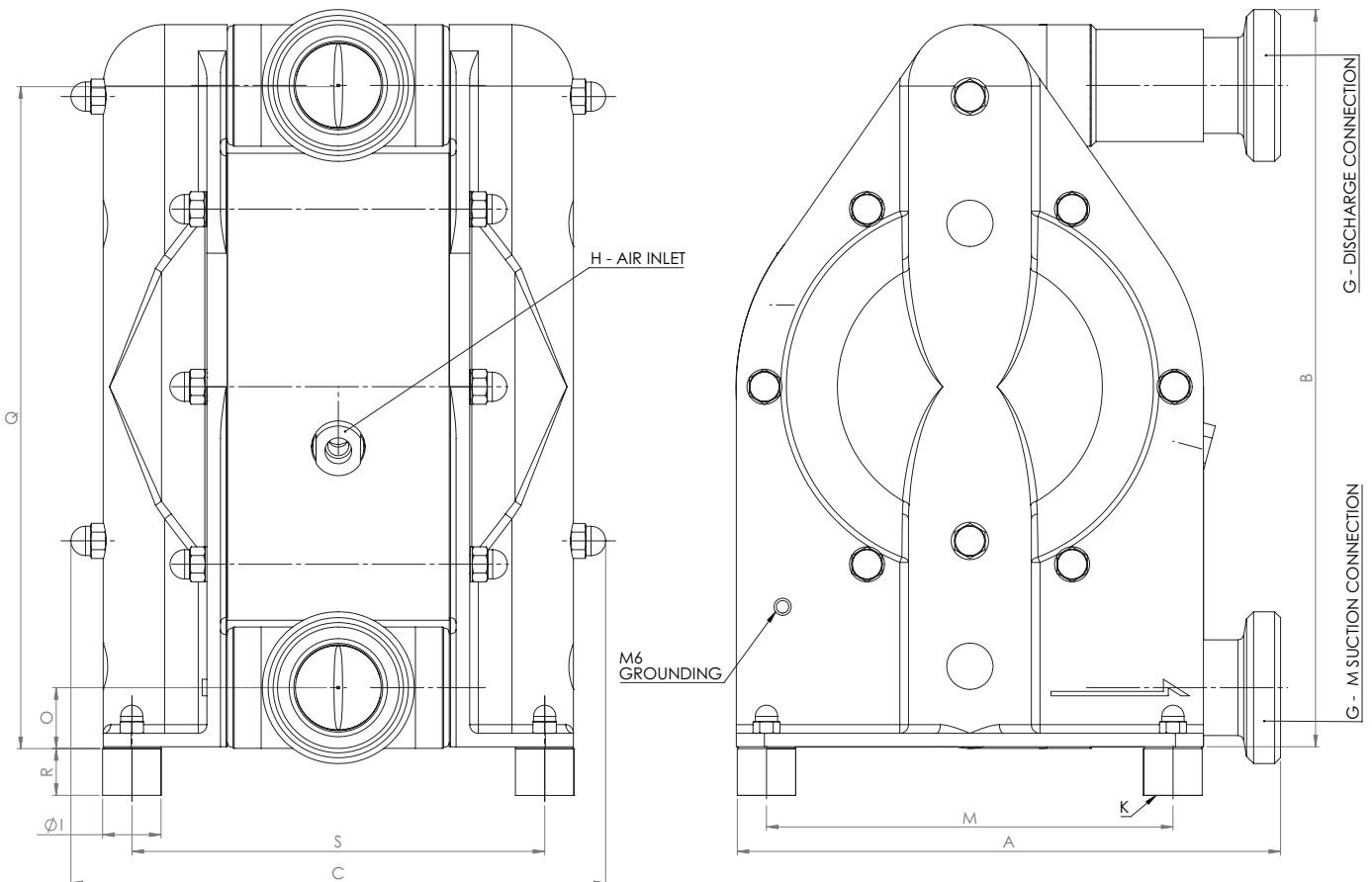


Dimensions

HC-PURE25 FD

TYPE	A	B	C	G	H	I	K	M	O	Q	R	S
HCP25 DIN	233	316	229	DN40	R¼	25	M6	175	26	284	20	178
HCP25 TC	222	309	229	25-40	R¼	25	M6	175	26	284	20	178

Dimensions in mm



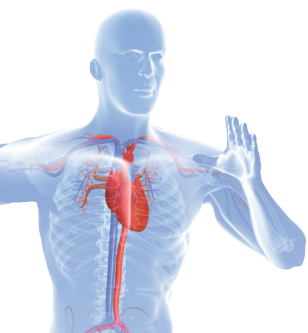
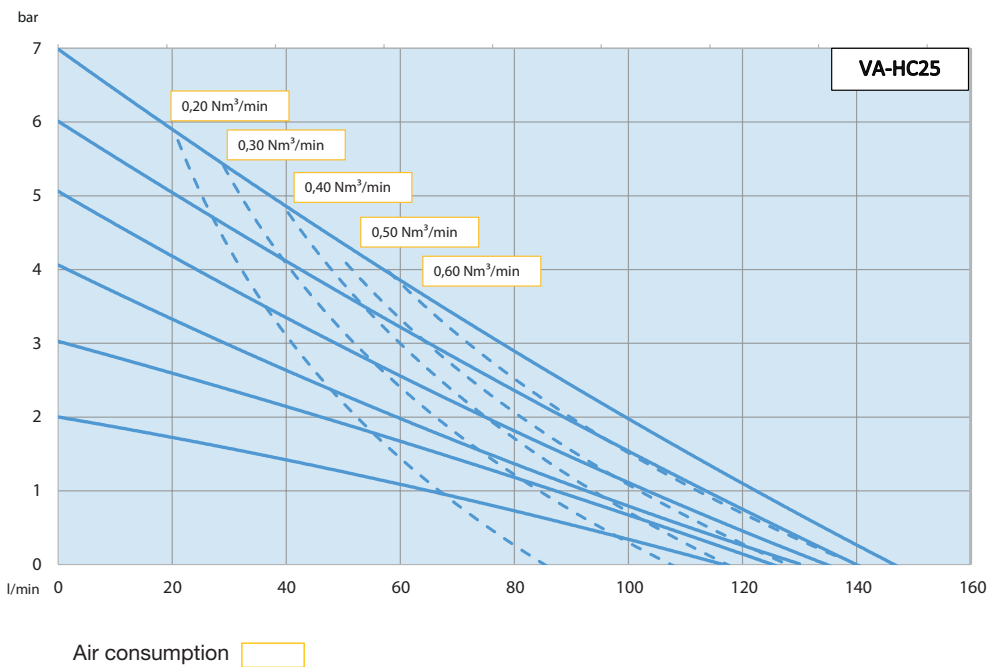
VERDERAIR HC-PURE FD SERIES

VA-HCP25



Performance charts

HC-PURE25 FD



Find your local supplier at www.verderliquids.com

For construction, installation and floor mounting drawings please contact your local authorised Verderair® distributor.