

# VERDERAIR EODD 2<sup>ND</sup> GENERATION

## VA-2E40

The VA-2E40 is an electric driven double diaphragm pump. With the wide range of different available materials for pump body, valve seats, valve balls and diaphragms, this pump is the ideal problem solver in a wide range of applications across many industries. It's smart, simple, cost-effective, clean and environmentally responsible. It's designed to be quieter, lighter, more reliable, and easier to maintain.



### Your benefits

- Energy efficient
- Low noise level
- Can stall against close discharge
- Can run dry without damage
- Dry self priming

| Technical Data                      |                        |                                  |      |        |     |
|-------------------------------------|------------------------|----------------------------------|------|--------|-----|
| Weight (kg)                         | Fluid section : coding | Fluid section material           |      |        |     |
|                                     | A                      | Aluminium                        | 32,2 |        |     |
|                                     | S                      | Stainless Steel 316              | 50,8 |        |     |
|                                     | C                      | Conductive Polypropylene         | 34   |        |     |
|                                     | P                      | Polypropylene                    | 34   |        |     |
|                                     | K                      | Kynar (PVDF)                     | 38,5 |        |     |
| Max. suction lift (mwc)             |                        | Dry                              |      | 5,9    |     |
| Temperature (°C)                    | Fluid section          | Internals                        |      |        |     |
|                                     | A, S                   | AC                               |      | -29    | 82  |
|                                     |                        | AL                               |      | -51    | 135 |
|                                     |                        | BN                               |      | -12    | 82  |
|                                     |                        | NW,NE,NO                         |      | -12    | 82  |
|                                     |                        | VT                               |      | -40    | 135 |
|                                     |                        | PP                               |      | 0      | 79  |
|                                     |                        | TS                               |      | -40    | 82  |
|                                     |                        | TF                               |      | -40    | 104 |
|                                     |                        | TO                               |      | -40    | 82  |
|                                     |                        | GE                               |      | -40    | 82  |
|                                     |                        | SP                               |      | -40    | 82  |
|                                     |                        | HY                               |      | -40    | 82  |
|                                     |                        | SS                               |      | -51    | 135 |
|                                     |                        | KY                               |      | -12    | 107 |
| K                                   | all, except PP         |                                  | -12  | 82     |     |
|                                     | PP                     |                                  | 0    | 66     |     |
| P                                   | all                    |                                  | 0    | 66     |     |
| Max. particle size (mm)             |                        |                                  |      | 4,8    |     |
| Max. sound pressure (dBa)           |                        | at full power and flow           |      | 72     |     |
| Max. fluid pressure (bar)           |                        |                                  |      | 7      |     |
| Max. recommended viscosity (mPas)   |                        |                                  |      | 15.000 |     |
| Pump supplied with electrical cable | Drive type             |                                  |      |        |     |
|                                     | D2                     | 4,5 meter with plug IEC60320-C20 |      |        |     |
|                                     | D4                     | 4,5 meter, flying leads          |      |        |     |

# VERDERAIR EODD 2<sup>ND</sup> GENERATION

## VA-2E40



**Code VA-2E40 No.1 No.2 No.3 No.4.No.5.No.6.No.7**

**No. 1 Fluid Section Material**

- ⊕ A = Aluminium
- ⊕ S = Stainless Steel 316
- P = Polypropylene
- ⊕ C = Conductive Polypropylene
- K = Kynar (PVDF)

**No. 2 Drive Section specs + Material**

- D2= 220-240V, 15A, 1phase,50/60 Hz, Aluminium, Black powder coated
- ⊕ D4= 220-240V, 15A, 1phase,50/60 Hz (ATEX), Aluminium, Black powder coated

**No. 3 Check Valve seat material**

- AC = Acetal
- AL = Aluminium
- BN = Buna-N
- VT = Viton (FKM)
- GE = Geolast
- HY = Hytrel
- PP = Polypropylene

- KY = Kynar (PVDF)
- SP = Santoprene
- SS = Stainless Steel

**No. 4 Check ball valves material**

- AC = Acetal
- BN = Buna-N
- VT = Viton (FKM)
- GE = Geolast
- HY = Hytrel
- SP = Santoprene
- SS = Stainless Steel
- TF = PTFE
- NE = Neoprene
- NW = Neoprene weighted

**No. 5 Diaphragm material**

- BN = Buna-N
- GE = Geolast
- HY = Hytrel
- SP = Santoprene
- TS = PTFE/Santoprene 2 piece

- TO = PTFE/EPDM overmold
- NO = Neoprene overmold
- VT = Viton (FKM)

**No. 6 Connections**

- FC = Center flange DIN DN40/ANSI 1 1/2" (only non-metallic pumps)
- FE = End flange DIN DN40/ANSI 1 1/2" (only non-metallic pumps)
- TN = Threaded NPT 1 1/2", female (only metallic pumps)
- TB = Threaded BSPT 1 1/2", female (only metallic pumps)

**No. 7 Options**

- OO = Standard

Example pump type

**VA-2E40A D2 AL TF TS TB OO**

Note not all combinations are available

- ⊕ II 2 G Ex dh IIB T4 Gb
- Note : only with D4 drive

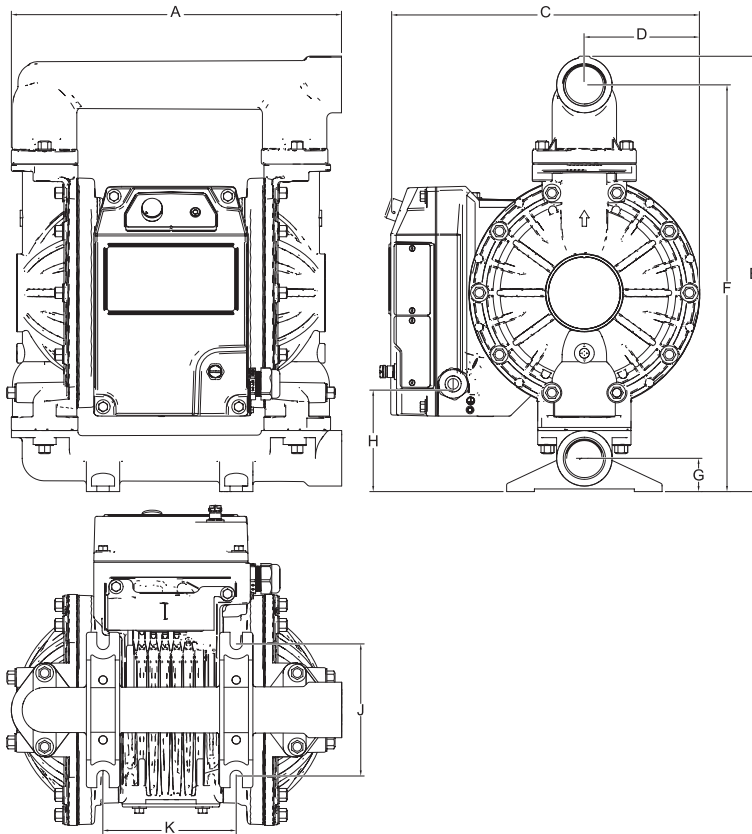


# VERDERAIR EODD 2<sup>ND</sup> GENERATION

## VA-2E40



### Dimensions



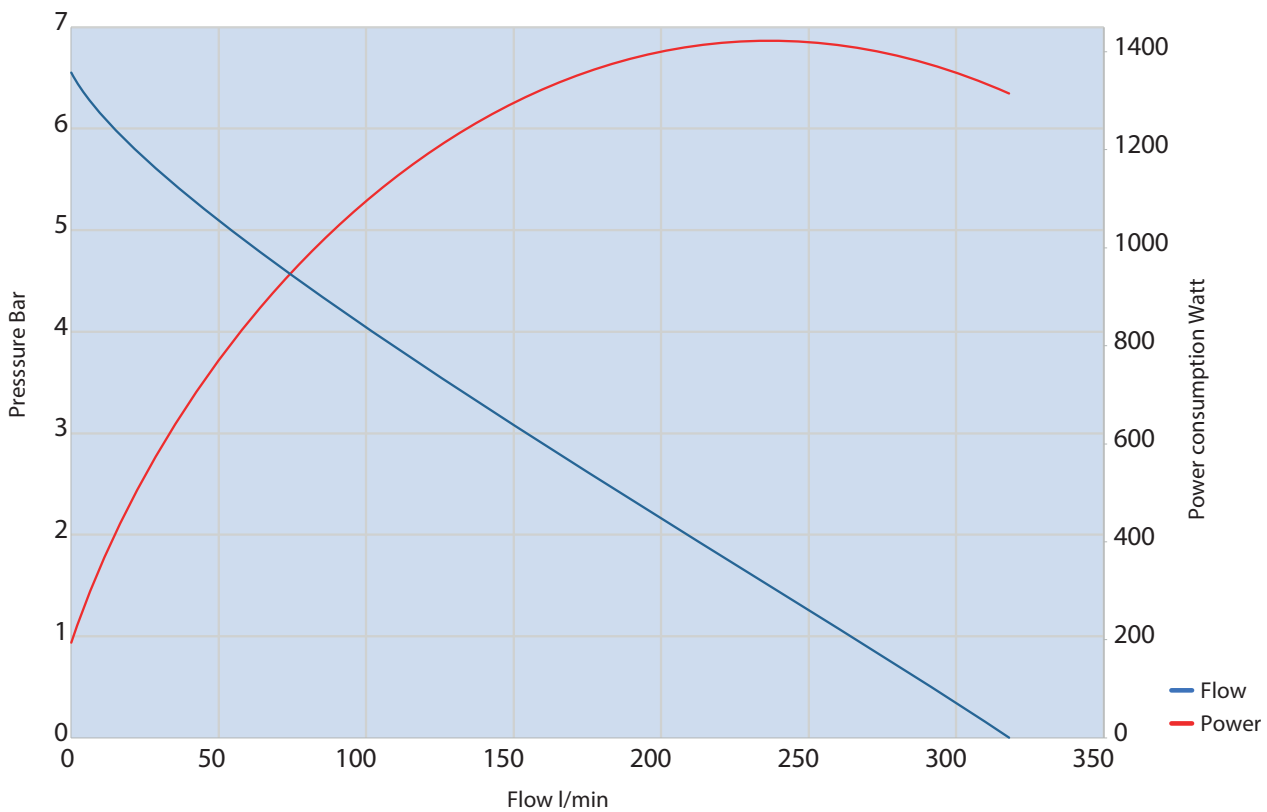
| Ref. | Wetted Section Material |       |       |       |       |       |
|------|-------------------------|-------|-------|-------|-------|-------|
|      | A                       |       | S     |       | P, K  |       |
|      | cm                      | in.   | cm    | in.   | cm    | in.   |
| A    | 38.28                   | 15.07 | 40.89 | 16.10 | 44.70 | 17.60 |
| B    | 35.08                   | 13.81 | 35.18 | 13.85 | 35.23 | 13.87 |
| C    | 13.13                   | 5.17  | 13.23 | 5.21  | 13.28 | 5.23  |
| D    | 49.78                   | 19.60 | 48.18 | 18.97 | 55.88 | 22.00 |
| E    | 46.48                   | 18.30 | 45.09 | 17.75 | 49.02 | 19.30 |
| F    | 3.81                    | 1.50  | 3.66  | 1.44  | 7.62  | 3.00  |
| G    | 11.56                   | 4.55  | 11.56 | 4.55  | 14.86 | 5.85  |
| H    | 15.24                   | 6.00  | 15.24 | 6.00  | 15.24 | 6.00  |
| J    | 15.24                   | 6.00  | 15.24 | 6.00  | 15.24 | 6.00  |
| K    | 15.24                   | 6.00  | 16.51 | 6.50  | 15.24 | 6.00  |

# VERDERAIR EODD 2<sup>ND</sup> GENERATION

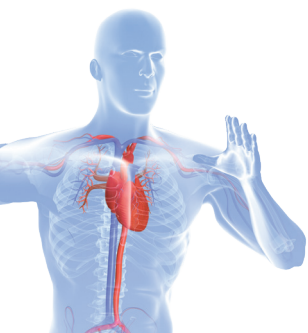
## VA-2E40



### Performance chart



Datasheet Verderair VA-2E40-eu-v1



Find your local supplier at [www.verderliquids.com](http://www.verderliquids.com)

For construction, installation and floor mounting drawings please contact your local authorised Verderair® distributor.