

VERDERAIR

VA-2H53 SF



The VA-2H53 SF is a hygienic designed electrical or air operated double diaphragm pump. With the wide range of available materials for pump body, valve seats, valve balls and diaphragms, this pump is the ideal problem solver for numerous hygienic applications. The VA-2H series is used where a high degree of food safety is required. The VA-2H is a reliable, easy to operate pump.

Your benefits

- Most hygienic design for food applications
- Efficient engineered design which reduces the risk of contamination (low amount of products which come into contact with the medium)
- A high quality product with best price-performance ratio
- Can run against closed discharge valve without the need of overpressure safety equipment
- Dry self-priming

Technical Data			
Weight (kg)	Flapper version	53,5	
Suction lift (mWc)	dry	1,8	
	wet	9,1	
Temperature limits internals (°C)	BUNA-N	-12	82
	FKM *	-40	135
	EPDM	-40	135
	PTFE	4	104
	PTFE overmold diaphragms	4	82
	Santoprene	-40	82
Max. particle size (mm)	Flapper versions	62,5	
Max. viscosity (mPas)		15000	
Fluid displacement/cycle (litres)	Flapper versions	2,65	
Certifications	All models	-	CE / FDA
	Internals diaphragms	EO,TO,TS	EN1935/2004
		EO,TS	USP class VI

* The maximum temperature listed is based on the ATEX standard for T4 temperature classification.
If you are operating in a non-ATEX zone, FKM maximum temperature is 160°C

Code VA-2H53 No.1 No.2 No.3 No.4 No.5 No.6 No.7 No.8			
No. 1 Fluid Section Material X = 316 Stainless Steel, Ra : 0,8µm	No. 4 Check ball valves material FL = SS316 Flapper		No. 6 Connections D8 = DIN 11851, DN80, male T8 = Tri-Clamp (ASME BPE), 3"
No. 2 Air Section Material S = 316 Stainless Steel	No. 5 Diaphragm material BN = BUNA-N EO = EPDM overmolded SO = Santoprene overmolded SP = Santoprene TO = PTFE/EPDM overmolded TS = PTFE/Santoprene 2 piece VT = Viton		No. 7 Pump Style SF = Flapper valve execution
No. 3 Check Valve seat material SE = SS seat with EPDM o-rings SB = SS seat with Buna-N o-rings ST = SS seat with EP-TF o-rings SV = SS seat with FKM o-rings			No. 8 Wetted material certifications 21 = EN 10204 type 2.1 31 = EN 10204 type 3.1

NOTE not all combinations are available

II 2 GD h IIA T6...T3 Gb X h IIIB T160°C Db EN 1935/2004

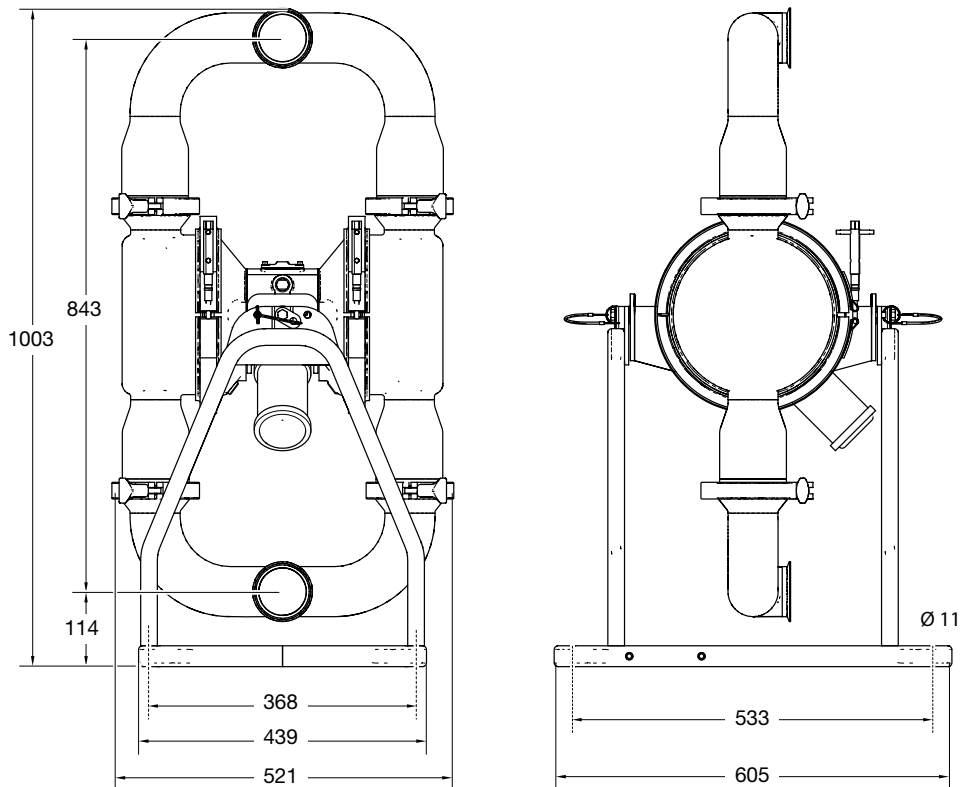
EXAMPLE PUMP TYPE
VA-2H53XS ST FL TS D8 SF 21

VERDERAIR

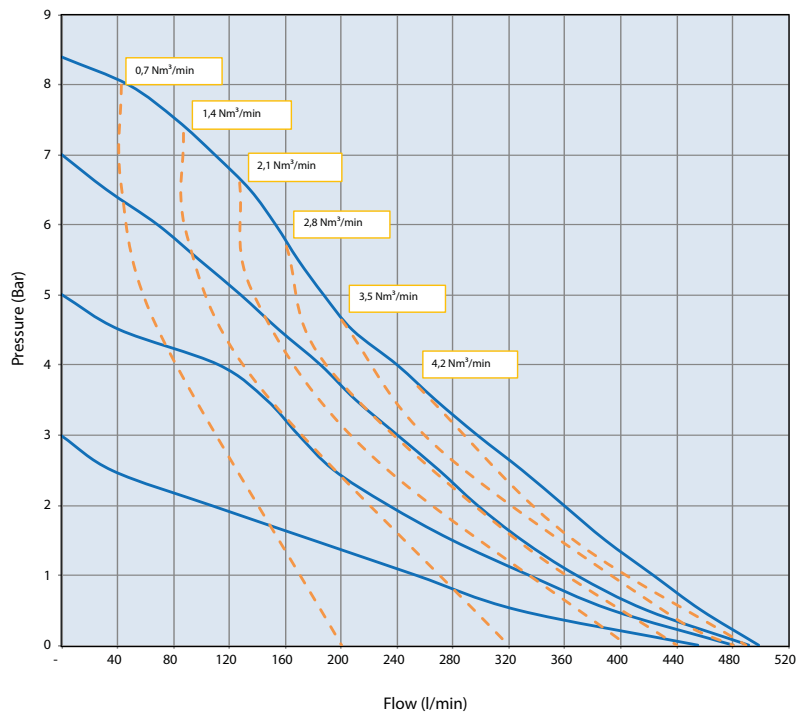
VA-2H53 SF



Dimensions (mm)



Flow rate / air consumption

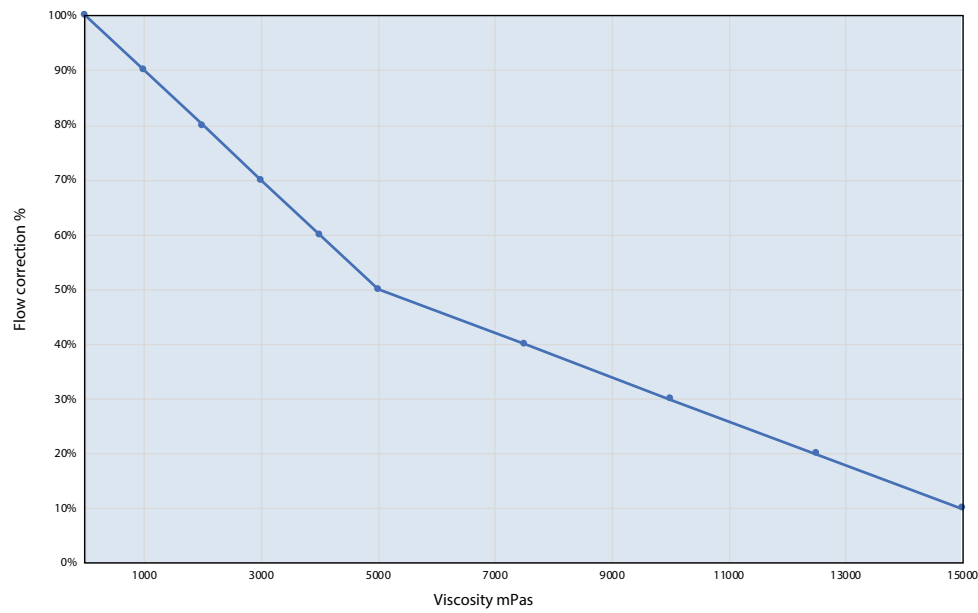


VERDERAIR

VA-2H53 SF



Viscosity correction curve



Datasheet_VA-2H53_SF_EU



Find your local supplier at www.verderliquids.com

For construction, installation and floor mounting drawings
please contact your local authorised Verderair® distributor.

VERDER
passion for pumps